

MODULAR "U" SHAPE RECEPTION STATION

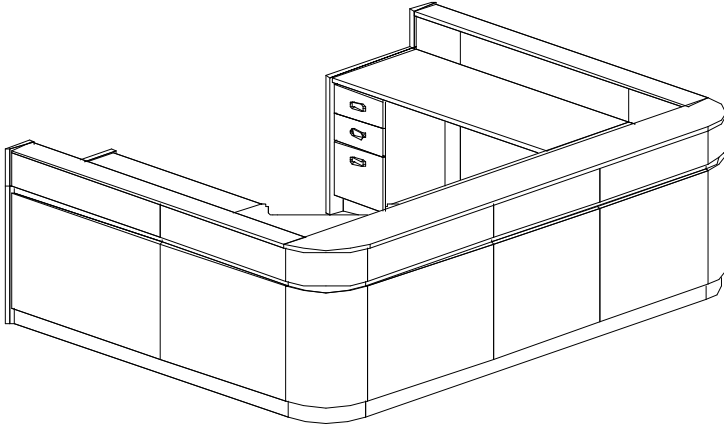


Figure 1(WEB 2C)Outside View

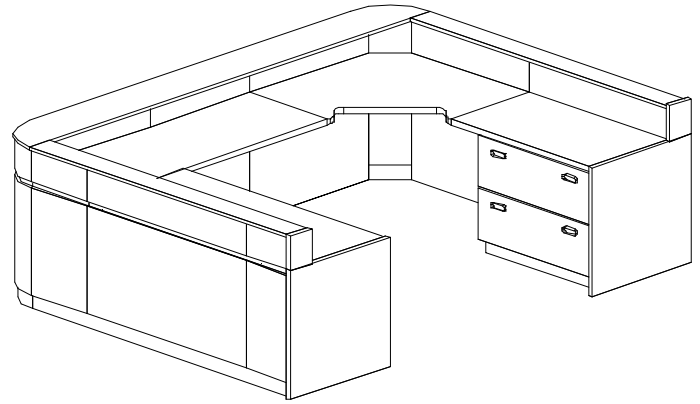


Figure 2(WEB 2C) Inside View

ACCESSORIES INCLUDED BUT NOT SHOWN:

- 2-ARTICULATING KEYBOARD ARMATURE
- LOCKS FOR BASE CABINETS
- 2-OAK LAP DRAWERS

PRICING AS SHOWN

WITH STD LAMINATES AND PVC EDGING: **\$4100.00**
 WITH GENUINE WOOD VENEER AND WOOD EDGING **\$5100.00**

Laminates Available:

Select from: **Wilsonart** ★ **Formica** ★ **Nevamar** ★ **Pionite** ★

Veneers Available:

Red & White Oak, Walnut, Mahogany, & Maple

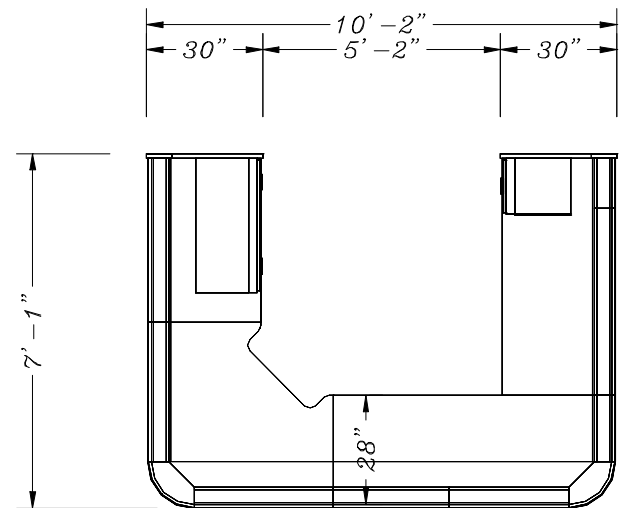


Figure 3 (rt hand) left hand unit available

FEATURES:

- UPPER & LOWER WALLS ARE HOLLOW WIRE CHASES WITH VELCRO ACCESS PANELS
- ACCESS PANELS HAVE MOUSE HOLE WIRE SLOTS - CONCEALS ALL THE EXCESS WIRES & PLUGS
- MULTIPLE SIZES & CONFIGURATIONS AVAILABLE UPON YOUR REQUEST
- GLASS PANELS (From 12" to 36" High) CAN BE ADDED TO MOUNT ON TOP OF ANY WALL SECTION



**CUSTOM FINISH THE WAY YOU WANT IT.
 ORDERING INSTRUCTIONS AND COLOR SELECTIONS**

WORKSTATIONS FOR TODAY'S ELECTRONIC OFFICE ENVIRONMENT

www.computerfurniture.com