

# MODULAR RECEPTION STATION

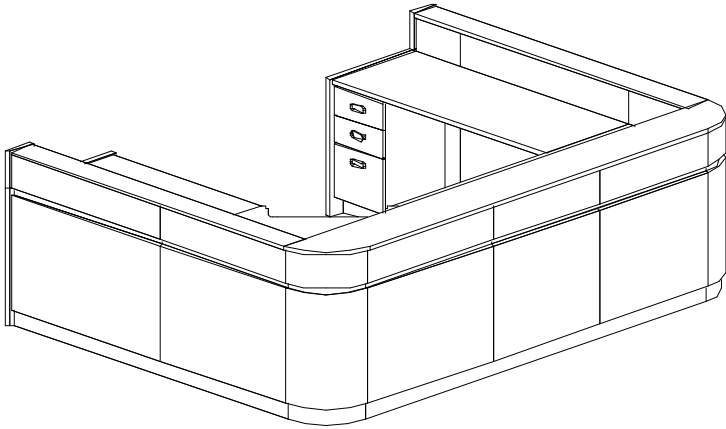


Figure 1(WEB 2C)Outside View

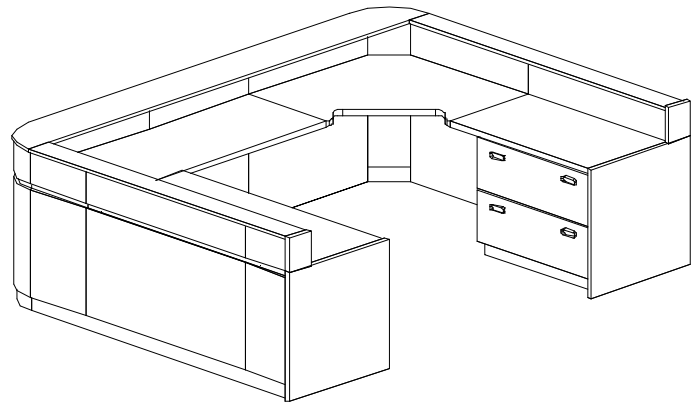


Figure 2(WEB 2C) Inside View

**ACCESSORIES INCLUDED BUT NOT SHOWN:**

- 2-ARTICULATING KEYBOARD ARMATURE
- 4-LOCKS FOR BASE CABINETS
- 2-OAK LAP DRAWERS

**PRICING AS SHOWN**

WITH STD LAMINATES AND PVC EDGING: **\$4100.00**  
 WITH GENUINE WOOD VENEER AND WOOD EDGING **\$5100.00**

**Laminates Available:**

Select from: **Wilsonart** ☆ **Formica** ☆ **Nevamar** ☆ **Pionite** ☆

**Veneers Available:**

Red & White Oak, Walnut, Mahogany, & Maple

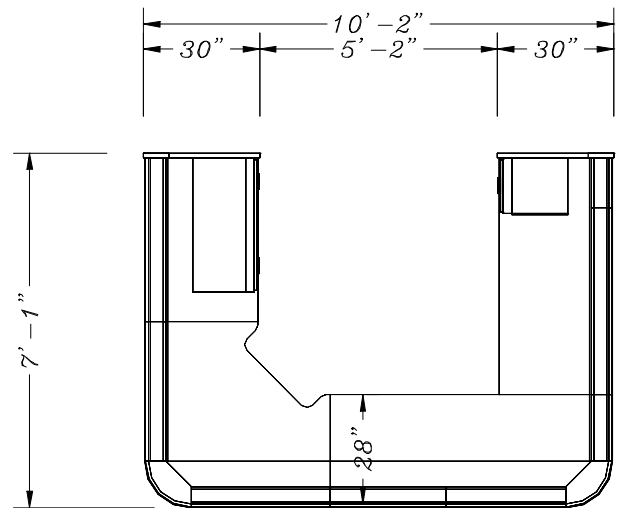


Figure 3 (rt hand) left hand unit available

**FEATURES:**

- FRONT GRID WALLS ARE HOLLOW WIRE CHASES WITH REMOVABLE ACCESS PANELS
- MULTIPLE SIZES & CONFIGURATIONS AVAILABLE TO FIT YOUR NEEDS.
- MODULAR ASSEMBLY FOR EXPANDING, RELOCATING AND RE-ARRANGING.
- MODULAR DRAWER PEDESTALS CAN BE PLACED WHERE EVER YOU WANT THEM.
- MULTIPLE DRAWER PEDSTALS AND WALL HUNG CONFIGURATIONS AVAILABLE.



**CUSTOM FINISH THE WAY YOU WANT IT.  
 ORDERING INSTRUCTIONS AND COLOR SELECTIONS**

**WORKSTATIONS FOR TODAY'S OFFICE ENVIRONMENT**

[www.computerfurniture.com](http://www.computerfurniture.com)