

EXECUTIVE WORK STATION

BEST SUITED FOR EXECUTIVE OFFICES 15' x 12' OR LARGER

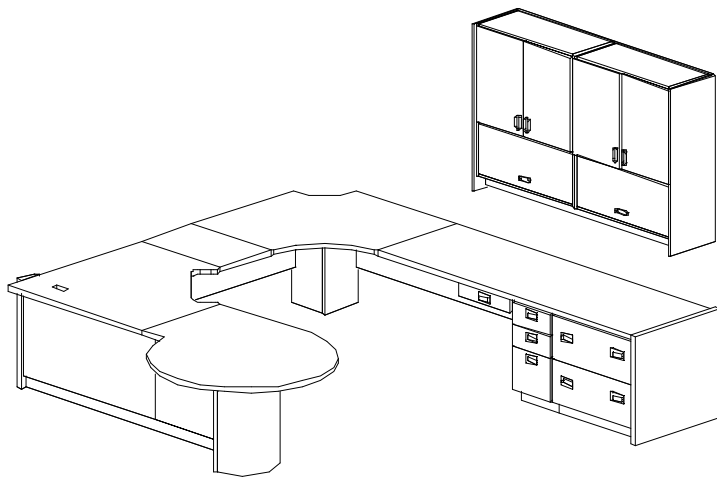


Figure 1 (WEB 1A)

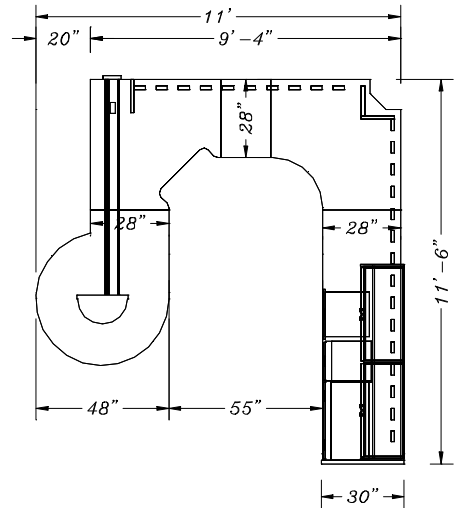
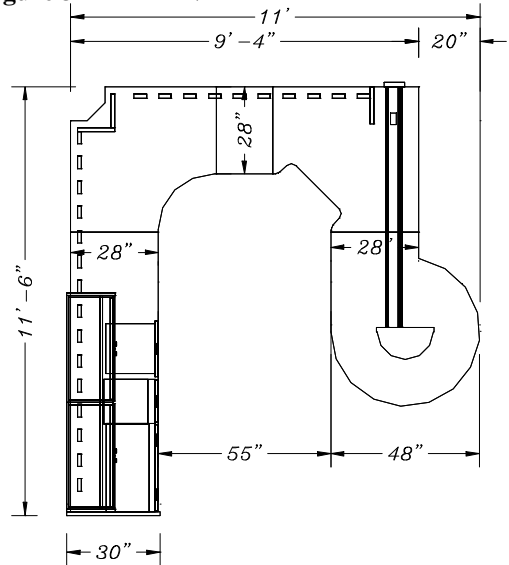


Figure 2 RT HAND

Figure 3 LFT HAND



ACCESSORIES INCLUDED BUT NOT SHOWN:

ARTICULATING KEYBOARD ARMATURE
24" or 48" TASK LIGHT
LOCKS FOR DRAWERS

PRICING AS SHOWN(not including wallhung cabs.)

WITH STD LAMINATES AND PVC EDGING: **\$3605.00**
WITH GENUINE WOOD VENEER AND WOOD EDGING: **\$4686.00**

PRICE FOR (2) WALLHUNG CABINETS:

PLASTIC LAMINATES: **\$995.00**
GEN. WOOD VENEER **\$1250.00**

Laminates Available:

Select from: **Wilsonart** ★ **Formica** ★ **Nevamar** ★ **Pionite** ★

Veneers Available:

Red & White Oak, Walnut, Mahogany, & Maple

FEATURES:

- FRONT GRID WALLS ARE HOLLOW WIRE CHASES WITH REMOVABLE ACCESS PANELS
- MULTIPLE SIZES & CONFIGURATIONS AVAILABLE TO FIT YOUR NEEDS.
- MODULAR ASSEMBLY FOR EXPANDING, RELOCATING AND RE-ARRANGING.
- MODULAR DRAWER PEDESTALS CAN BE PLACED WHERE EVER YOU WANT THEM.
- MULTIPLE DRAWER PEDSTALS AND WALL HUNG CONFIGURATIONS AVAILABLE.



**CUSTOM FINISH THE WAY YOU WANT.
ORDERING INSTRUCTIONS AND COLOR SELECTIONS**

WORKSTATIONS FOR TODAY'S ELECTRONIC OFFICE ENVIRONMENT

www.computerfurniture.com